

# Clarke<sup>®</sup> *air movers*



## AXIAL PLATE FANS

OPERATING & MAINTENANCE  
INSTRUCTIONS



0201



## Parts & Service Contacts

For Spare Parts and Service, please contact your nearest dealer, or CLARKE International, on one of the following numbers.

**PARTS & SERVICE TEL: 020 8988 7400**

**PARTS & SERVICE FAX: 020 8558 3622**

**or e-mail as follows:**

**PARTS: [Parts@clarkeinternational.com](mailto:Parts@clarkeinternational.com)**

**SERVICE: [Service@clarkeinternational.com](mailto:Service@clarkeinternational.com)**

Please note that the details and specifications contained herein, are correct at the time of going to print. However, CLARKE International reserve the right to change specifications at any time without prior notice. Always consult the machine's data plate



Thank you for purchasing your new Clarke Axial Plate Fan. Before attempting to operate this machine please read this instruction manual thoroughly and follow all directions carefully. This is for your own safety and that of others around you, and to help you achieve long and trouble free service from your fan.

### Guarantee

This product is guaranteed against faults in manufacture for 12 months from purchase date. Please keep your receipt as proof of purchase.

This guarantee is invalid if the product has been abused or tampered with in any way, or not used for the purpose for which it is intended. The reason for return must be clearly stated.

This guarantee does not affect your statutory rights.

### Before Installation

1. Ensure that the impeller has not been damaged or distorted during transit.
2. Check that the impeller rotates freely and is secured tightly to the shaft. If the tip clearance of the blades is not sufficient slacken the motor bolts and re-align.

### Installation

1. Mount the fan securely using the 4 bolt holes provided in the outer casing.
2. Ensure that the installation is free from any vibration which could damage the impeller or motor bearings.
3. Ensure that when installed the impeller side of the fan cannot be touched i.e. if this is not covered by ducting or cowling, then the optional side guard must be fitted.
4. **IMPORTANT** - If a fan (without louvre shutters) is used for a reversible air flow, the fan must always be completely stopped before changing direction.
5. Air Flow Direction - See the section on electrical connection for guidance on wiring for air flow direction.

## Electrical Connections


 **WARNING!**  
**THIS APPLIANCE MUST BE EARTHED**

Connect the mains lead, through a suitably fused isolator switch, to a 230 Volt (50Hz) electrical supply, having a fuse rating in accordance with the specifications given on Motor Data Plate. A standard, domestic type, 13 Amp plug **MUST NOT** be used with this Fan.

**IMPORTANT:** The wires in the mains lead are coloured in accordance with the following code:

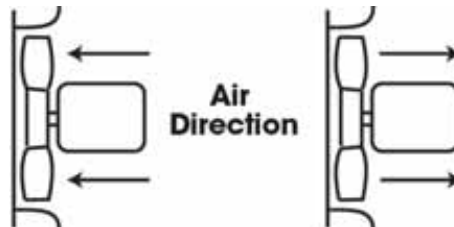
Green & Yellow	-	Earth
Blue	-	Neutral
Brown	-	Live

As the colours of the flexible lead of this appliance may not correspond with the coloured markings identifying terminals in your electrical supply, proceed as follows:

- Connect GREEN & YELLOW cord to terminal marked with a letter "E" or Earth symbol "" or coloured GREEN or GREEN & YELLOW.
- Connect BROWN cord to terminal marked with "L" or coloured RED.
- Connect BLUE cord to terminal marked with "N" or coloured BLACK.

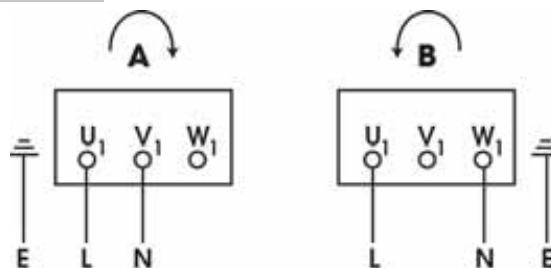
## Direction of Air Flow

To achieve air flow direction A or B (fig 1.), the fan should be wired as shown in fig 2. (A similar diagram is also included inside the fan motor terminal box).



## Terminal Box Connections

Consult a qualified electrician if you are in any doubt about the electrical connection of this fan.



## Operation

1. These fans are suitable for ambient temperature between -20°C and +50°C.
2. Use for ventilation only. NOT suitable for extracting flammable material.

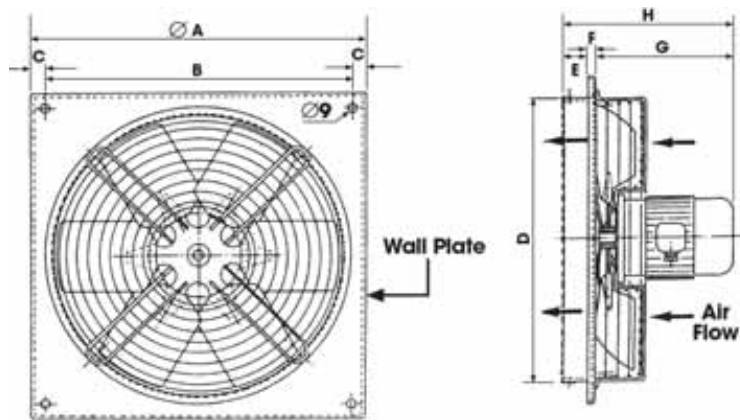
## Maintenance

 **WARNING!**  
**DISCONNECT THE FAN FROM THE ELECTRICITY SUPPLY BEFORE ANY INSPECTION OR MAINTENANCE.**

1. Check that the impeller and motor bolts and nuts are fully tightened within the first 100 hours of use, and periodically after this.
2. Ensure that the impeller, motor and fan housing are kept clean. This is important for the ongoing safe use of this fan.
3. Periodically check that the fan installation is free from corrosion.

## Specifications

### Dimensions (mm)



Model	A	B	C	D	E	F	G	H
CAF304	400	350	25	315	45	15	195	255
CAF354	450	400	25	365	45	15	238	298
CAF404	500	450	25	420	45	15	238	298
CAF454	550	500	25	470	45	15	247	306
CAF506	600	550	25	520	45	15	273	332
CAF556	680	630	25	570	45	15	247	307
CAF606	730	680	25	620	45	15	273	332

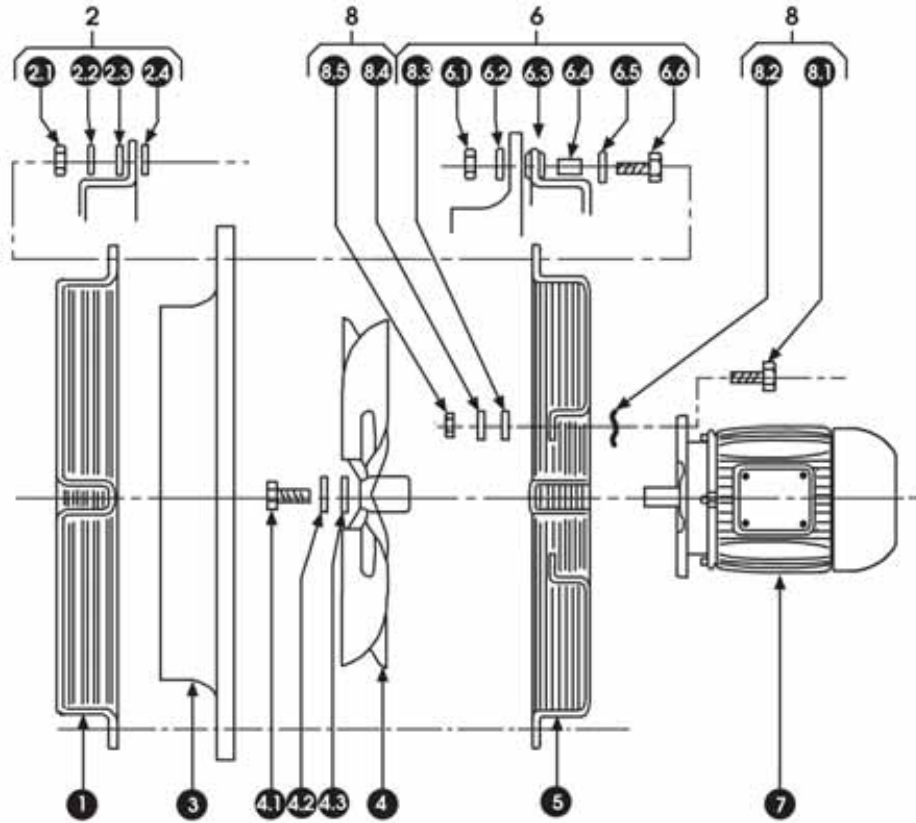
## Performance

Model	RPM	Power kW	Sound Power Level db(A)	Sound Pressure Level at 3M (db(A))
CAF304	1400	0.06	72	55
CAF354	1400	0.18	76	59
CAF404	1400	0.25	75	58
CAF454	1400	0.36	80	63
CAF506	900	0.18	73	56
CAF556	900	0.25	76	59
CAF606	800	0.36	80	73

## Parts List

No.	Description	Part No.						
		CAF304	CAF354	CAF404	CAF454	CAF506	CAF556	CAF606
1	Side Guard	3230102	3230112	3230122	3230132	3230142	3230152	3230162
2	Assy Screws	3230103	3230113	3230123	3230133	3230143	3230153	3230163
2.1	Nut	3230103A	3230113A	3230123A	3230133A	3230143A	3230153A	3230163A
2.2	G. Washer	3230103B	3230113B	3230123B	3230133B	3230143B	3230153B	3230163B
2.3	G. Washer	3230103C	3230113C	3230123C	3230133C	3230143C	3230153C	3230163C
2.4	Washer	3230103D	3230113D	3230123D	3230133D	3230143D	3230153D	3230163D
3	Fan Plate	3230104	3230114	3230124	3230134	3230144	3230154	3230164
4	Impeller	3230105	3230115	3230125	3230135	3230145	3230155	3230165
4.1	Screw	3230105A	3230115A	3230125A	3230135A	3230145A	3230155A	3230165A
4.2	G. Washer	3230105B	3230115B	3230125B	3230135B	3230145B	3230155B	3230165B
4.3	Washer	3230105C	3230115C	3230125C	3230135C	3230145C	3230155C	3230165C
5	Motor Guard	3230106	3230116	3230126	3230136	3230146	3230156	3230166
6	Assy Screws	3230107	3230117	3230127	3230137	3230147	3230157	3230167
6.1	H. Nut	3230107A	3230117A	3230127A	3230137A	3230147A	3230157A	3230167A
6.2	Washer G	3230107B	3230117B	3230127B	3230137B	3230147B	3230157B	3230167B
6.3	Antivib. Mtg.	3230107C	3230117C	3230127C	3230137C	3230147C	3230157C	3230167C
6.4	Antivib. Spacer	3230107D	3230117D	3230127D	3230137D	3230147D	3230157D	3230167D
6.5	Washer	3230107E	3230117E	3230127E	3230137E	3230147E	3230157E	3230167E
6.6	H. Screw	3230107F	3230117F	3230127F	3230137F	3230147F	3230157F	3230167F
7	Motor	3230108	3230118	3230128	3230138	3230148	3230158	3230168
8	Assy Screws	3230109	3230119	3230129	3230139	3230149	3230159	3230169
8.1	H. Screw	3230109A	3230119A	3230129A	3230139A	3230149A	3230159A	3230169A
8.2	Plate Washer	3230109B	3230119B	3230129B	3230139B	3230149B	3230159B	3230169B
8.3	Washer	3230109C	3230119C	3230129C	3230139C	3230149C	3230159C	3230169C
8.4	G. Washer	3230109D	3230119D	3230129D	3230139D	3230149D	3230159D	3230169D
8.5	H. Nut	-	3230119E	3230129E	3230139E	3230149E	3230159E	3230169E

## Parts Diagram



## Accessories

A full range of draught operated Louvre Shutters, Impeller Side Guards and Fan Speed Regulators is available. Please contact your Clarke dealer for details

