

A SELECTION FROM THE VAST RANGE OF

ClarkeTM

QUALITY PRODUCTS

AIR COMPRESSORS
From DIY to industrial. Plus air tools, spray guns and accessories.

GENERATORS
Prime duty or emergency standby for business, home and leisure.

POWER WASHERS
Hot and cold, electric and engine driven - we have what you need.

WELDERS
Mig, Arc, Tig and Spot. From DIY to auto/industrial.

METALWORKING
Drills, grinders and saws for DIY and professional use.

WOODWORKING
Saws, sanders, lathes, mortisers and dust extraction.

HYDRAULICS
Cranes, body repair kits, transmission jacks for all types of workshop use.

WATER PUMPS
Submersible, electric and engine driven for DIY, agriculture and industry.

POWER TOOLS
Angle grinders, cordless drill sets, saws and sanders.

STARTER/CHARGERS
All sizes for car & commercial use.



ClarkeTM



INFRA RED HEATERS

Models
DEVIL160 • DEVIL360P • DEVIL365P

Clarke[®] INTERNATIONAL

For spare parts and servicing, please contact your nearest dealer, or Clarke International on

020 - 8988 - 7400

e-mail: Parts@clarkeinternational.com e-mail: Service@clarkeinternational.com

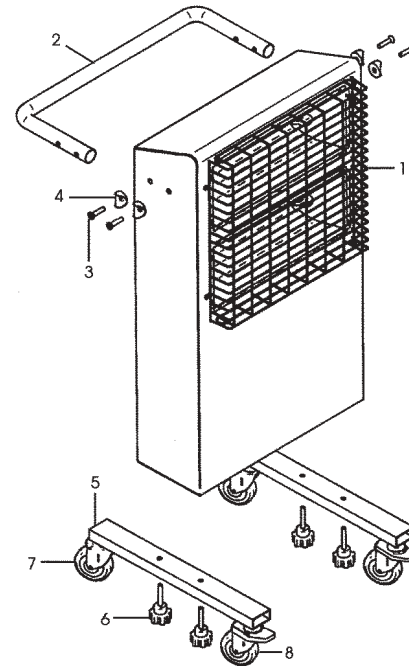
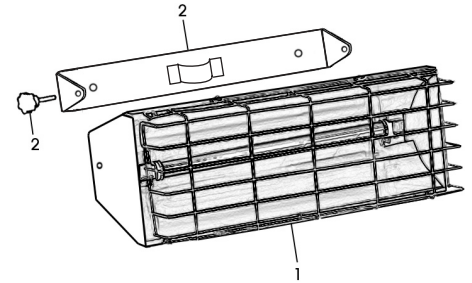
OPERATING & MAINTENANCE INSTRUCTIONS



SPARE PARTS

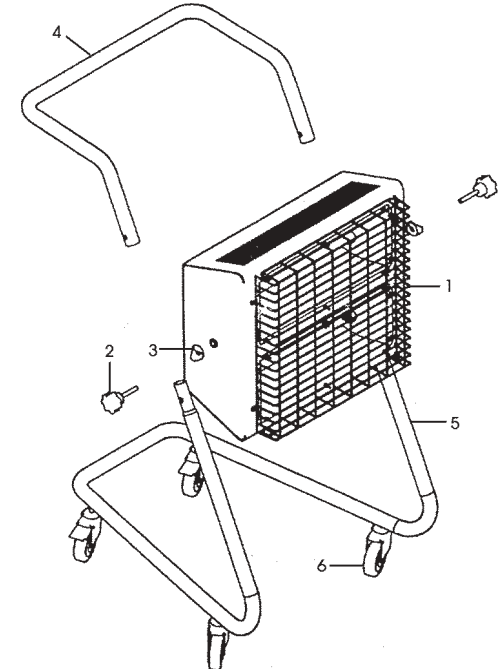
DEVIL160

No.	Description	Part No.
1	Guard	AX16001
2	Wall Bracket	AX16002
-	IR Halogen Tube	AX16003



DEVIL360P

No.	Description	Part No.
1	Guard	AX36001
2	Handle	AX36002
3	C'sk Screw	AX36003
4	Saddle Support	AX36004
5	Foot	AX36005
6	Securing Knob	AX36006
7	Castor	AX36007
8	Castor w/Brake	AX36008
-	IR Halogen Tube	AX16003



DEVIL365P

No.	Description	Part No.
1	Guard	AX36001
2	Securing Knob	AX36502
3	Saddle Support	AX36004
4	Handle	AX36504
5	Frame	AX36505
6	Castor	AX36506
-	IR Halogen Tube	AX16003

MAINTENANCE

Allow the heater to cool down for at least 15 minutes after switching off, before performing any maintenance tasks.

Periodically.

- Disconnect from the mains supply, remove the guard and wipe the reflectors with a clean dry cloth. DO NOT use abrasive cleaners. Take care NOT to touch the tube with your fingers.
- Inspect the mains cable for damage. Heat damage will cause the cable to stiffen and crack. If this is found, have the cable replaced (refer to your CLARKE dealer), check cable routing and ensure it is well away from the heat source.

IR Halogen Tube Replacement

Tubes are long lasting and should not need replacing under normal circumstances. Should this become necessary however, the method of replacement is as follows:

1. Ensure the heater is disconnected from the mains supply, then remove the guard, followed by both side reflectors, each of which is secured with two screws.
2. Remove the back panel.
3. Disconnect the tube leads from the appropriate switch, by carefully pulling off the spade connectors.
4. Carefully unclip the tube from its holders at each end, then withdraw the tube, with leads, from the front of the heater.
5. Replace in the reverse order ensuring you DO NOT touch the tube itself. Protect the tube with a cloth or paper - your fingers should not come into contact with it.

IMPORTANT

IF IN ANY DOUBT, ALWAYS CONSULT A QUALIFIED TECHNICIAN. DO NOT CARRY OUT ANY REPAIRS YOURSELF.

PARTS & SERVICE

PARTS & SERVICE TEL: 020 8988 7400

or e-mail as follows:

PARTS: Parts@clarkeinternational.com

SERVICE: Service@clarkeinternational.com

Thank you for purchasing this Clarke Infra Red Heater.

Before attempting to operate the unit please read this instruction leaflet and carefully follow all directions given. By doing so you will ensure safe operation of the unit and you can also look forward to it providing you with long and trouble free service.

GUARANTEE

This CLARKE product is guaranteed against faults in manufacture for 12 months from purchase date. Please keep your receipt as proof of purchase.

This guarantee is invalid if the product has been found to have been abused in any way, or not used for the purpose for which it was intended, or to have been tampered with in any way. The reason for return must be clearly stated.

This guarantee does not affect your statutory rights.

SAFETY PRECAUTIONS

- This heater is for **INDOOR USE ONLY**.
- **ALWAYS** disconnect from the mains supply before moving or performing any maintenance tasks.
- **ALWAYS** use in an upright position **ONLY**.
- Inspect the mains cable regularly for signs of damage. **DO NOT** use if it is damaged, and **ALWAYS** keep it away from the source of heat.
- Ensure the wall mountings, where used, are perfectly sound at all times.
- **DO NOT** install the heater **BELOW** an electrical outlet.
- **NEVER** switch **ON** the heater when the guard is removed.
- **NEVER** mount or locate the heater near combustible materials such as curtains, furniture etc. Allow at least 2 metres distance.
- If the heater is installed in a bathroom, ensure it cannot possibly be operated from the bath or shower, and **NEVER** install above the bath or shower.
- **DO NOT** use this heater in greenhouses or construction areas.
- **DO NOT** mount or locate the heater close to an adjacent wall or ceiling...allow a distance of at least 1 metre from a wall and 10" from a ceiling.
- **NEVER** cover the heater, or block any of the vents.
- **DO NOT** use if the IR Halogen Tubes are damaged or broken.
- **NEVER** touch the heater for at least 15 minutes after it is switched off.
- **DO NOT** use this heater in the vicinity of a swimming pool.
- **NEVER** touch the lamp - even when cold.
- **NEVER** use the heater with a timer device as this could be a fire hazard should the heater move for any reason whilst unattended.

ELECTRICAL CONNECTIONS

230 Volt Models

Connect the mains lead to a standard, 230 Volt (50Hz) electrical supply through an approved 13 amp BS 1363 plug, or a suitably fused isolator switch.

WARNING! THIS APPLIANCE MUST BE EARTHED

IMPORTANT: The wires in the mains lead are coloured in accordance with the following code:

Green & Yellow Earth
Blue Neutral
Brown Live

As the colours of the flexible lead of this appliance may not correspond with the coloured markings identifying terminals in your plug, or your mains supply, proceed as follows:

- Connect GREEN & YELLOW coloured cord to plug terminal marked with a letter "E" or Earth symbol "⏏" or coloured GREEN or GREEN & YELLOW.
- Connect BROWN cord to terminal marked with a letter "L" or coloured RED.
- Connect BLUE cord to terminal marked with a letter "N" or coloured BLACK.

Fuse Rating

The fuse in the plug must be replaced with one of the same rating (13 amps) and this replacement must be ASTA approved to BS1362.

110 Volt Models

These models **must** be connected to a protected 110V supply, through a suitably approved connector. On no account must a 230V, 13amp (BS1363) plug be used.

NOTE: If a portable 110V transformer is used, make sure it has a rated capacity sufficient to take the load of the heater.

In the event that the heater is hard wired into the electrical system, it must be carried out in accordance with IEE regulations.

WARNING!
IF YOU ARE IN ANY DOUBT ABOUT ELECTRICAL CONNECTIONS, CONSULT
A QUALIFIED ELECTRICIAN.
NEVER ATTEMPT ELECTRICAL REPAIRS YOURSELF.

ASSEMBLY

A. Devil 160

First, decide where the heater is to be located, ensuring it is at least 25cm (10") from a ceiling and 1 metre from the corner of a room. Also take into account any furniture, draperies or any other flammable or heat sensitive materials or objects, ensuring they are at least 2 metres from the heater. Finally ensure a suitable electrical supply is close to hand (see Safety Precautions).

Mark out the mounting holes on the wall using the mounting bracket as a template. Drill and plug the wall then screw on the bracket firmly. Mount the heater on the wall bracket and connect the power cable to the supply (see Electrical Connections). Alternatively provision is made to mount the bracket on to a support, such as a tripod etc.

IMPORTANT!

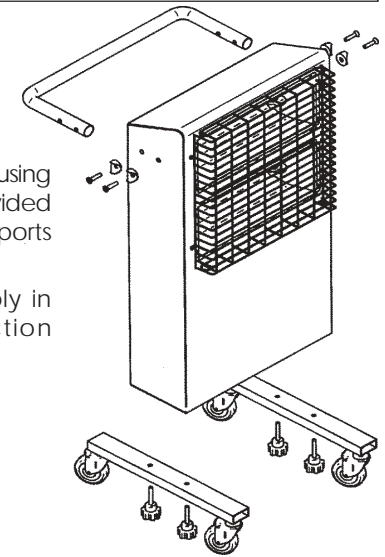
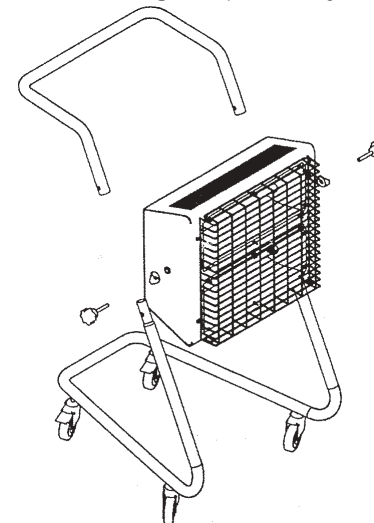
When using the heater, the angle of tilt **MUST NOT** exceed 45 degrees, as this could lead to the heater overheating. **NEVER** mount the heater pointing vertically downwards

B. Devil 360P

Fit the feet, complete with castors to the underside of the heater using the four large knob head screws provided.

Attach the handle to the sides of the main body using the four countersunk Hex. socket head screws provided together with the four plastic semi-circular supports located between the tube and the heater body.

Connect the mains cable to a suitable supply in accordance with the Electrical Connection instructions given previously.



C. Devil 365P

Attach the frame to the heater body in the manner shown in the drawing opposite, with the two plastic saddle supports located between the tube and the heater body, then connect the mains cable to a suitable supply in accordance with the Electrical Connection instructions given previously.